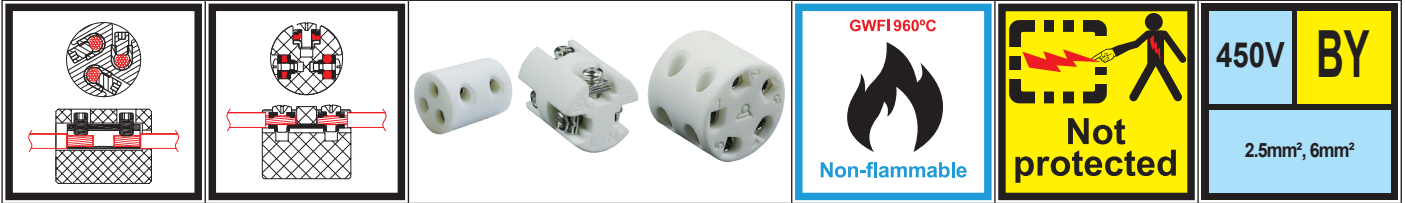


Round steatite connection blocks 450V range



Not protected against accidental electric contact, brass terminals, nickel plated steel screws.



Round terminal blocks. These terminal blocks are intended to be placed in tubes, or to go into round holes during their installation. **Care must be taken to ensure that the terminal screw heads remain permanently at a sufficient distance from the tube if it is metallic. If a minimum clearance of 4mm in air is not achievable, we recommend the installation of an insulating sheath around the terminal block, for example high temperature heat-shrinkable sleeve, or Kapton tape, whose temperature resistance is compatible with the conditions of the installation. This insulation must provide an electric strength of 2500V minimum (More details on EN60698-1§13).**

16.3mm diameter

BY1621V33A2 (Was previously BY3Y3)	13 gr.	SOLID CABLE 6mm ² / 4mm ² / 2.5mm ² AWG10 / AWG12 / AWG14		
		STRANDED CABLE 4mm ² / 2.5mm ² / 1.5mm ² AWG12 / AWG14 / AWG16		
		0.5 N.m	M3	
		450V	41A	
		Permanent	230°C/450°F	
		Peak	450°C/840°F	

22mm diameter


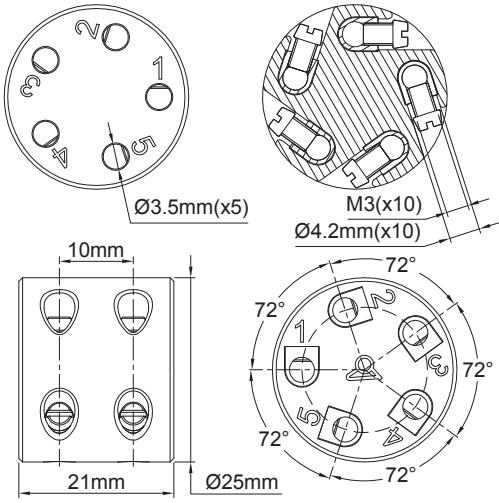
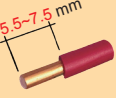



BY2227C33C2	25 gr.	SOLID CABLE M3: 6-7.5 mm M3.5: 7-8.5 mm 2 x 2.5mm ² / 2 x 1.5mm ² / 2 x 1mm ² 2 x AWG14 / 2x AWG16 / 2 x AWG18		
		STRANDED CABLE M3: 6-7.5 mm M3.5: 7-8.5 mm 2 x 2.5mm ² / 2 x 1.5mm ² / 2 x 1mm ² 2 x AWG14 / 2x AWG16 / 2 x AWG18		
		M3 : 0.5N.m M3.5 : 0.8N.m	M3 / M3.5	
		450V	24A	
		Permanent	230°C/450°F	
		Peak	450°C/840°F	

Because of permanent improvement of our products, drawings, descriptions, features used on these data sheets are for guidance only and can be modified without prior advice



Round steatite connection blocks 450V range

25mm diameter

BY2521V55A2		26 gr.		SOLID CABLE		
		 6mm ² / 4mm ² / 2.5mm ² AWG10 / AWG12 / AWG14		STRANDED CABLE		
		 4mm ² / 2.5mm ² / 1.5mm ² AWG12 / AWG14 / AWG16		 0.5 N.m M3		
				450V 41A		
		 Permanent 230°C/450°F Peak 450°C/840°F				

Because of permanent improvement of our products, drawings, descriptions, features used on these data sheets are for guidance only and can be modified without prior advice



Page (.pdf)



Drawing 2D
(.dwg)



Drawing 3D
(.stp)

Excerpt from catalogue 10-2

